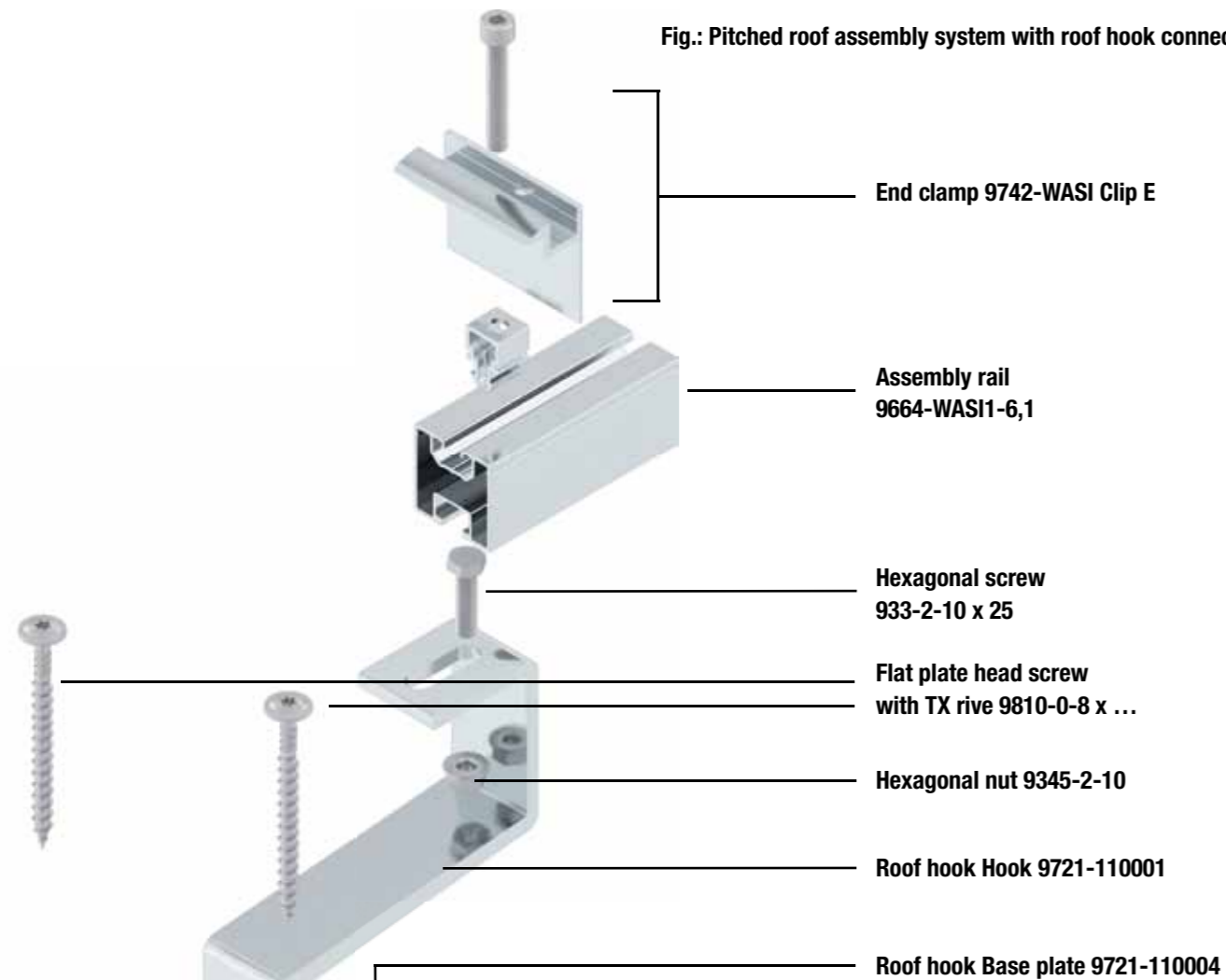


PV MOUNTING SYSTEM PITCHED ROOF

WE SECURE THE SUN

WASI SOLAR PITCHED ROOF SYSTEM

Fig.: Pitched roof assembly system with roof hook connection



-  Pitched roof
-  Roof connection
-  Frame technology
-  Modular connection
-  Building supervision approval

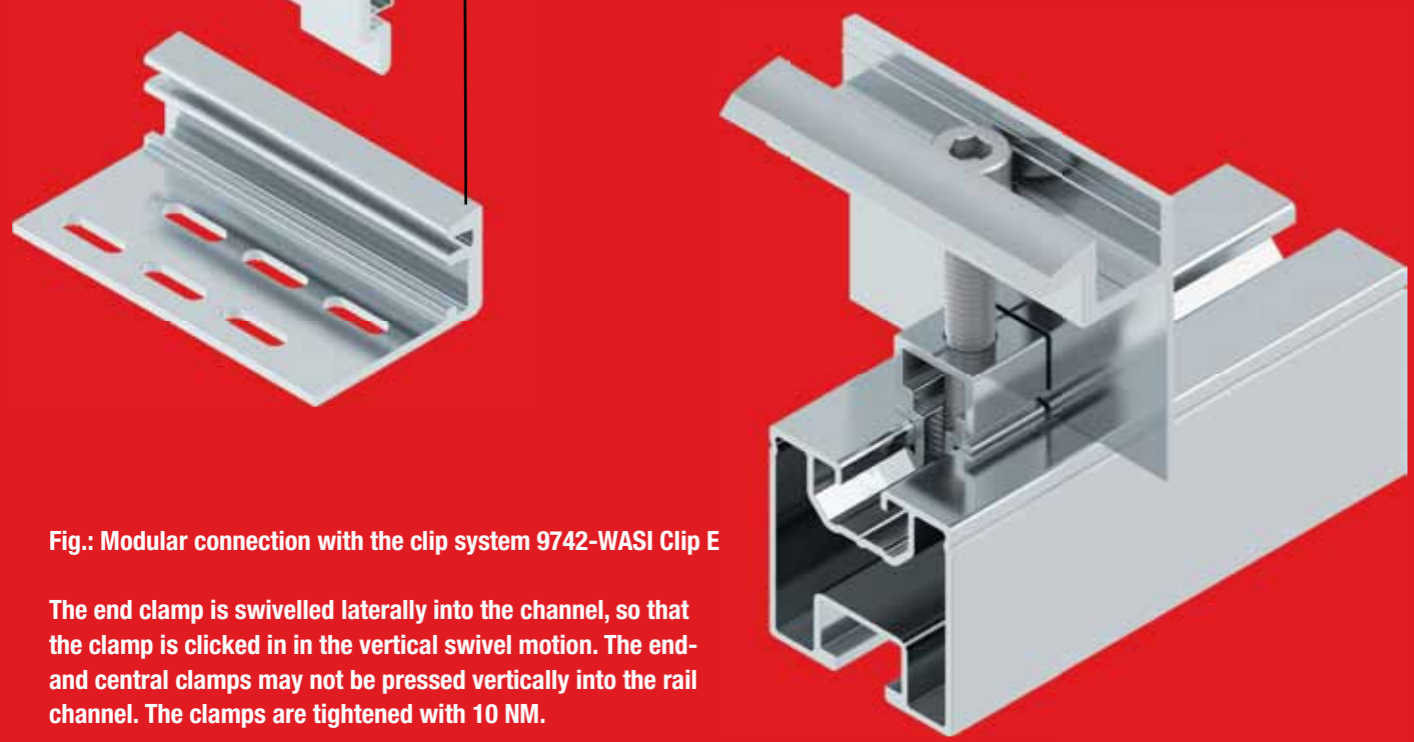
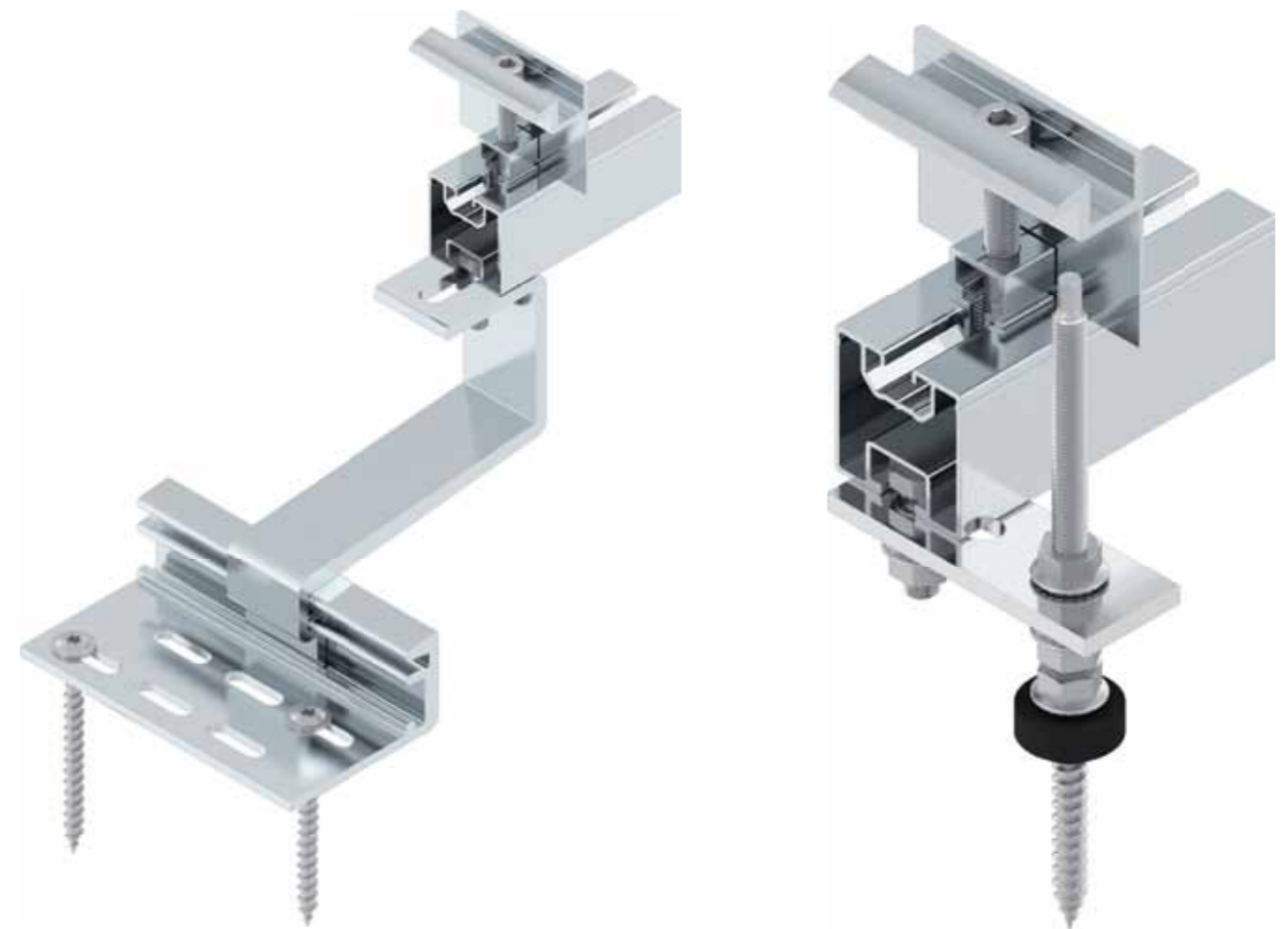


Fig.: Modular connection with the clip system 9742-WASI Clip E

The end clamp is swivelled laterally into the channel, so that the clamp is clicked in in the vertical swivel motion. The end- and central clamps may not be pressed vertically into the rail channel. The clamps are tightened with 10 NM.

1 WASI SOLAR PITCHED ROOF SYSTEM - SAFE AND FAST ASSEMBLY

The WASI Solar Pitched roof system is a tested total system of tried and tested building supervision approved single components. Fabricated components guarantee fast assembly. Further components that offer you yet even more flexibility in assembly are available in the section WASI Solar Standard.

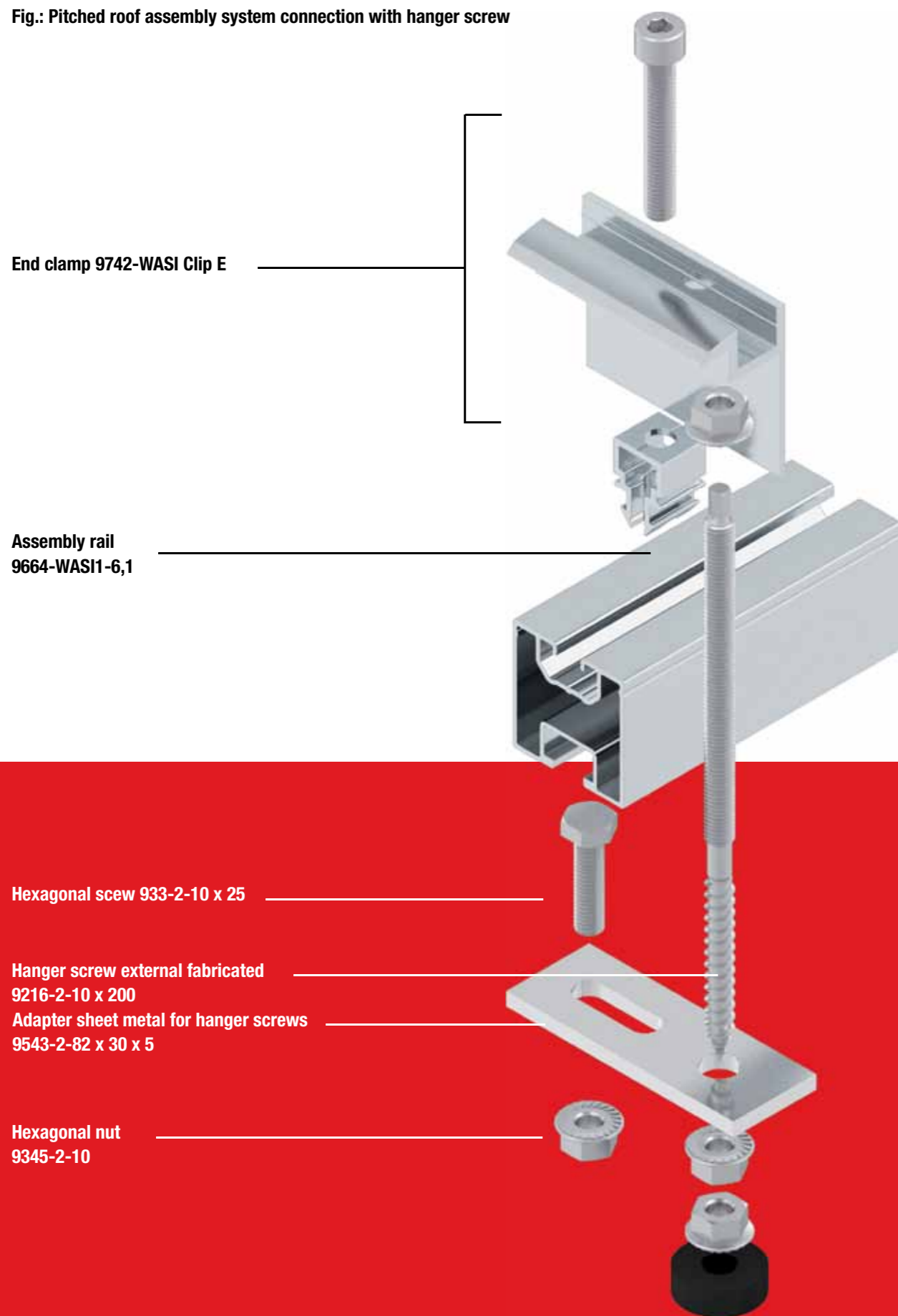
2 WASI SOLAR PITCHED ROOF SYSTEM - COMPONENTS FOR FLEXIBLE ASSEMBLY SOLUTIONS

WASI Aluminium roof hooks consists of a basic plate and hook for flexible assembly

- building supervision approved flat plate head screws for low-chip assembly without prior drilling
- building supervision approved, fabricated hanger screws form the basis for simple assembly and exact adjusting of the solar unit
- Central and end clamps with clip connection can be clicked conveniently into the top channel of the assembly rail WASI 1
- Central clamp and end clamp: Significantly higher tensile strength than conventional fixing with aluminium-special alloy. The central clamp is fully fabricated with screw, nut and clip connection. When ordering, please specify the module height.

WASI SOLAR PITCHED ROOF SYSTEM









Fig.: Pitched roof assembly system connection with hanger screw










3 - WASI Solar pitched roof system - all components

Art.No. / Figure	Article	Dimension	Variant / Material	VPE	Description
9721-110004 + 9721-110001	Roof hook Aluminium	/	Alu	100	Roof hook continuous, consisting of base plate and hook to clip in, for 32 mm battens
9721-110004	Roof hook base plate	150 mm x 83 mm Height of the base plate 46 mm	Alu	100	Base plate for 32 mm battens Height of the base plate 46 mm
9721-110001	Roof hook hook	Width: 40 mm Hook: 55 mm	Alu	100	Roof hook continuous to clip in, hook front 55 mm perforation 32 mm
9810-0-8 x...	Flat plate head screw with TX drive	8 mm x 80 mm 8 mm x 100 mm 8 mm x 120 mm	Stainless steel hardened	50	Premium Flat plate head screws made of C1 with TX-drive. Building supervision approval Z-9.1-661.
9216-2-10 x 200 9216-2-12 x 300	Hanger screw External hexagon Fabricated	10 mm x 200 mm 12 mm x 300 mm	A2 and EPDM	50	Solar mount for wood base construction, fabricated with serrated nuts WS 9345, EPDM seal WS 9218, washers DIN 125 and DIN 9021. Building supervision approval Z-14.4-632.

WASI SOLAR PITCHED ROOF SYSTEM

3 - WASI Solar pitched roof system - all components					
Art.No. / Figure	Article	Dimension	Variant / Material	VPE	Description
9543-2-82 x 30 x 5	Adapter sheet metal for hanger screws M10 	30 mm x 5 mm x 82 mm	A2	100	Adapter sheet metal made stainless steel A2 for hanger screws M10
					Adapter sheet metal made stainless steel A2 for hanger screws M12
9544-2-82 x 30 x 5	Adapter sheet metal for hanger screws M12 	30 mm x 5 mm x 82 mm	A2	100	Adapter sheet metal made stainless steel A2 for hanger screws M12
					
9664-WAS11-6,1	Assembly rail WAS11 	40 mm x 40 mm Length 6,1 m	mill-finished	100	Span width 1,6 m*; connection bottom hexagonal screw DIN 933 M10; connection top slot nut M8 $W_x = l_x / (20) \text{ mm}$; $W_X = 3327 \text{ mm}^3$ $W_y = l_y / (20.0.05) \text{ mm}$; $W_y = 3276 \text{ mm}^3$
					
9431-120901-100	Slot nut	M8 22 mm x 13 mm	Alu A2	100	Aluminium; ball of A2; rotatable
					
933-2-10 x 25	Hexagonal screw	M10 10 mm x 25 mm	A2	100	Thread all the way to the head; pursuant to DIN 933; also adequate for nearly all other WASI assembly rails
					

3 - WASI Solar pitched roof system - all components					
Art.No. / Figure	Article	Dimension	Variant / Material	VPE	Description
9345-2-10	Hexagonal nut	M10	A2	100	Hexagonal nut with flange and serration in A2; M10; fitting for DIN 933-2-10 x 25
					
934-2-8	Hexagonal nut	M10	A2	200	Hexagonal nut in A2 pursuant to DIN 934, M10, if you decide on this hexagonal nut you need the spring washer to secure it DIN 127
					
127-2-10	Spring washer	M10	A2	1000	Spring washer in A2 pursuant to DIN 127; M10; only needed when using DIN 934
					
9742-WAS1 Clip E	End clamp incl. Clip 	30 mm to 50 mm width 70 mm	mill-finished	50	End clamp is fabricated with screw, nut and clip connection. When ordering, please specify the module height as modules ranging between 30 to 50 mm can be connected.
					
9745-WAS1 Clip M	Central clamp incl. Clip 	30 mm to 50 mm width 70 mm	mill-finished	100	Central clamp is fabricated with screw, nut and clip connection. When ordering, please specify the module height as modules ranging between 30 to 50 mm can be connected.
					



Wagener & Simon
WASI GmbH & Co. KG

Emil-Wagener-Straße 1
D- 42289 Wuppertal

www.wasi-solar.de
Date 05 / 2012

